

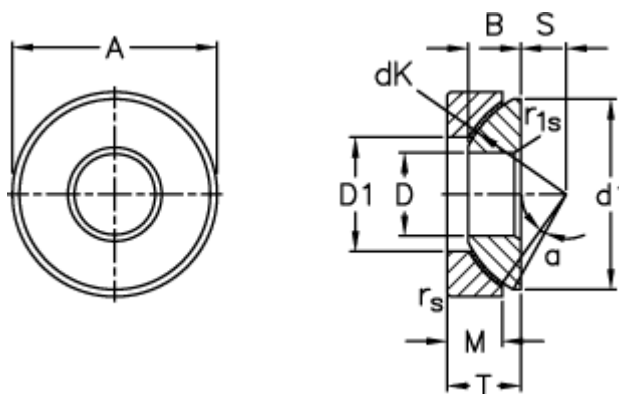
Data Sheet



Article number: 03512080

Description: Fluro Rod end GE 80AW

Measures



A	= 180 0 -0,025	rs, r1s min	= 1
B	= 43.5	S	= 42.5
D	= 80 0 -0,015	Static axial load C0 (kN)	= 4100
d1 max	= 172	T	= 50 +0,25 -0,50
D1 min	= 107.5	Tilt angle	= 4
dK	= 197	Weight	= 6910
Dynamic axial load C (kN)	= 2050		
M	= 38		